

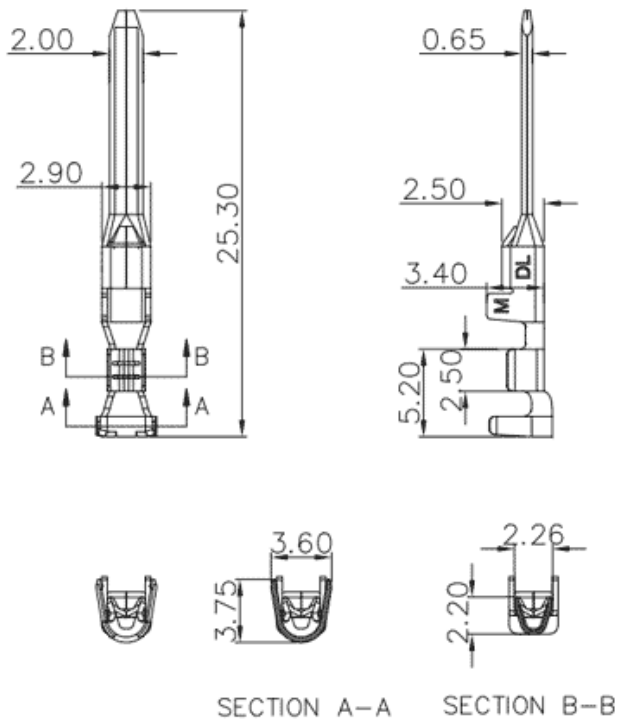


Product Type: Direct crimp connectors

Product Name:DL508H30M-03-0500

Product Description: Crosssection:0.2-0.5mm<sup>2</sup>/24-20AWG Ratedcurrent:6A CE

Product Size



Parameters

|                         |                   |
|-------------------------|-------------------|
| ☞ SUPU ID               | DL508H30M-03-0500 |
| ☞ Pitch                 | -                 |
| ☞ Number of levels      | -                 |
| ☞ Number of connections | -                 |

|                               |               |
|-------------------------------|---------------|
| ☞ Connection method           | Cold pressing |
| ☞ Protection Level            | IP20          |
| ☞ Operating temperature range | -40~+105°C    |
| ☞ Insulation material         | -             |
| ☞ Insulation material group   | -             |
| ☞ Contact material            | Copper alloy  |
| ☞ Contact plating             | Sn,Plated     |

## Technical data

|   |                        |
|---|------------------------|
| ☞ IEC Rated Current                             | 6A                     |
| ☞ IEC Rated Voltage                             | -                      |
| ☞ Overvoltage category                          | III/III/II             |
| ☞ Degree of pollution                           | -                      |
| ☞ Rated impulse voltage                         | -                      |
| ☞ UL Rated Current                              | 6A                     |
| ☞ UL Rated Voltage                              | -                      |
| ☞ Conductor cross section rigid                 | -                      |
| ☞ Conductor cross section flexible              | 0.2-0.5mm <sup>2</sup> |
| ☞ Conductor cross section flexible,with ferrule | -                      |
| ☞ Locking screw Specification                   | -                      |
| ☞ Locking screw torque                          | -                      |
| ☞ Fixed Screw Specification                     | -                      |
| ☞ 固定螺钉扭矩  | -                      |
| ☞ Stripping length                              | 4-5mm                  |

☞ Use group

-

☞ Rated cross section

24-20AWG

## Commercial data

☞ Order No

DL508H30M-03-0500

### Ningbo SUPU Electronics Co., Ltd.

Address: No. 150, Xinxing 4th Road, High-tech Industrial Development Zone,  
Cixi City, Zhejiang Province, China

Zip code: 315303

Switchboard: +86 574-63288158

Fax: +86 574-63288170

E-mail:supucontact@supu.cn

Service Hotline: 400-626-6336



Wechat

Date:2026-04-25 12:09

The right to modify data belongs to SUPU.