

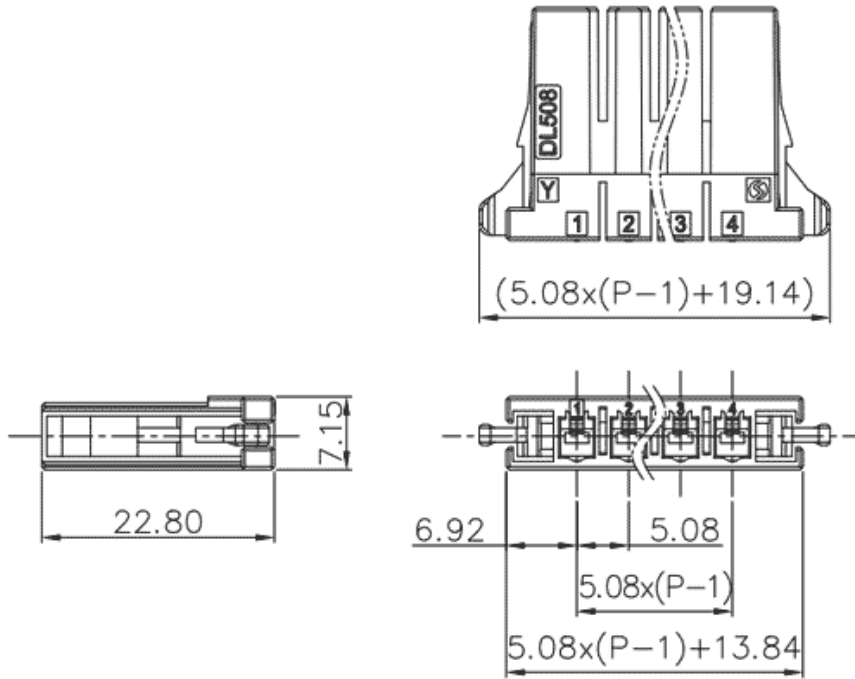
Product Type: Direct crimp connectors

Product Name:DL508H1XXM-
BK-0Y10

Product Description: Pitch:5.08mm

RatedVoltage : 600V Single-level CE

Product Size



Parameters

| | |
|-------------------------|--------------------|
| ⌘ SUPU ID | DL508H1XXM-BK-0Y10 |
| ⌘ Pitch | 5.08 |
| ⌘ Number of levels | Single layer |
| ⌘ Number of connections | XX |

| | |
|-------------------------------|---------------|
| ☞ Connection method | Cold pressing |
| ☞ Protection Level | IP20 |
| ☞ Operating temperature range | -40~+105°C |
| ☞ Insulation material | PBT |
| ☞ Insulation material group | II |
| ☞ Contact material | - |
| ☞ Contact plating | - |

Technical data

| | |
|---|-------------|
| ☞ IEC Rated Current | - |
| ☞ IEC Rated Voltage | 320V |
| ☞ Overvoltage category | III/III/ II |
| ☞ Degree of pollution | 3 2 2 |
| ☞ Rated impulse voltage | 4KV 4KV 4KV |
| ☞ UL Rated Current | - |
| ☞ UL Rated Voltage | 600V |
| ☞ Conductor cross section rigid | - |
| ☞ Conductor cross section flexible | - |
| ☞ Conductor cross section flexible,with ferrule | - |
| ☞ Locking screw Specification | - |
| ☞ Locking screw torque | - |
| ☞ Fixed Screw Specification | - |
| ☞ 固定螺钉扭矩 | - |
| ☞ Stripping length | - |

☞ Use group -

☞ Rated cross section -

Commercial data

☞ Order No

DL508H1XXM-BK-0Y10

Ningbo SUPU Electronics Co., Ltd.

Address: No. 150, Xinxing 4th Road, High-tech Industrial Development Zone,
Cixi City, Zhejiang Province, China

Zip code: 315303

Switchboard: +86 574-63288158

Fax: +86 574-63288170

E-mail:supucontact@supu.cn

Service Hotline: 400-626-6336



Wechat

Date:2026-04-27 10:55

The right to modify data belongs to SUPU.