

Product Type: Plug-in terminal-Plug

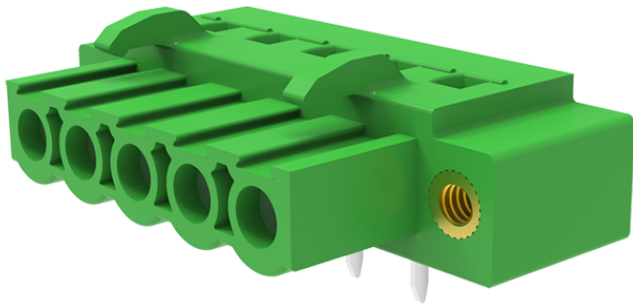
Product Name:MC-

RU5.08SH18-F-0001

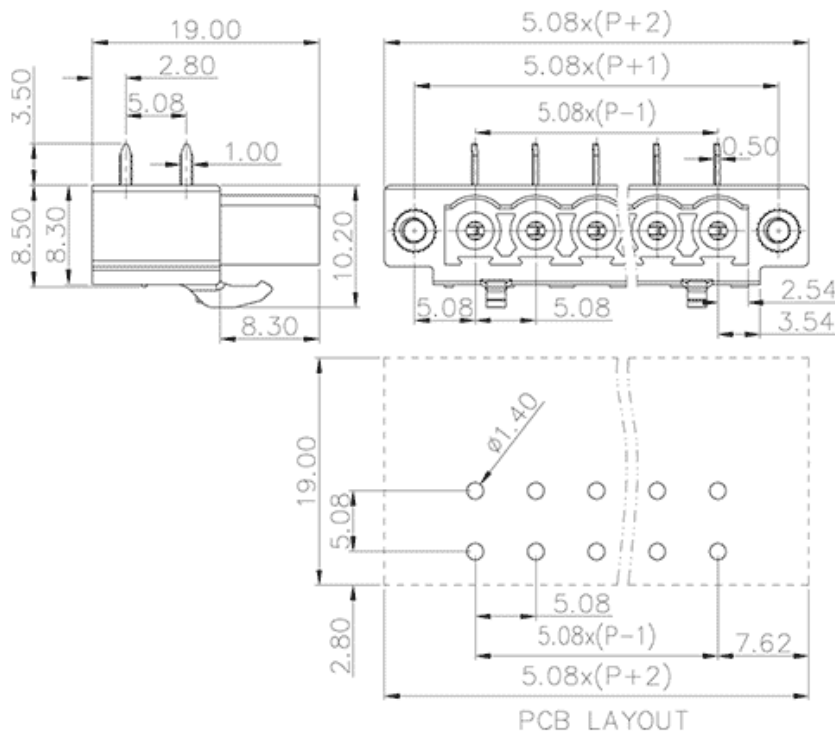
Product Description: Pitch:5.08mm Rated

Voltage : 320V Rated Current:16A

colour : customizable



### Product Size



### Parameters

|                         |                      |
|-------------------------|----------------------|
| ☞ SUPU ID               | MC-RU5.08SH18-F-0001 |
| ☞ Pitch                 | 5.08                 |
| ☞ Number of levels      | single layer         |
| ☞ Number of connections | 18                   |

|                               |                                  |
|-------------------------------|----------------------------------|
| ☞ Connection method           | -                                |
| ☞ Protection Level            | IP20                             |
| ☞ Operating temperature range | -40~+105°C                       |
| ☞ Insulation material         | PA66                             |
| ☞ Insulation material group   | I                                |
| ☞ Contact material            | Copper alloy                     |
| ☞ Contact plating             | Sn,Plated                        |
| ☞ Color                       | Green/Black/Blue/Grey/Orange/Red |

## Technical data

|   |             |
|---|-------------|
| ☞ IEC Rated Current                             | 16A         |
| ☞ IEC Rated Voltage                             | 320V        |
| ☞ Overvoltage category                          | III/III/ II |
| ☞ Degree of pollution                           | 3 2 2       |
| ☞ Rated impulse voltage                         | 4KV 4KV 4KV |
| ☞ UL Rated Current                              | 16A - 10A   |
| ☞ UL Rated Voltage                              | 250V - 300V |
| ☞ Conductor cross section rigid                 | -           |
| ☞ Conductor cross section flexible              | -           |
| ☞ Conductor cross section flexible,with ferrule | -           |
| ☞ Locking screw Specification                   | -           |
| ☞ Locking screw torque                          | -           |
| ☞ Fixed Screw Specification                     | M2.5        |
| ☞ 固定螺钉扭矩  | 0.3N.M      |

|                       |       |
|-----------------------|-------|
| ☞ Stripping length    | -     |
| ☞ Use group           | B/C/D |
| ☞ Rated cross section | -     |

## Commercial data

|            |                      |
|------------|----------------------|
| ☞ Order No | MC-RU5.08SH18-F-0001 |
|------------|----------------------|

### Ningbo SUPU Electronics Co., Ltd.

Address: No. 150, Xinxing 4th Road, High-tech Industrial Development Zone,  
Cixi City, Zhejiang Province, China

Zip code: 315303

Switchboard: +86 574-63288158

Fax: +86 574-63288170

E-mail:supucontact@supu.cn

Service Hotline: 400-626-6336



Wechat