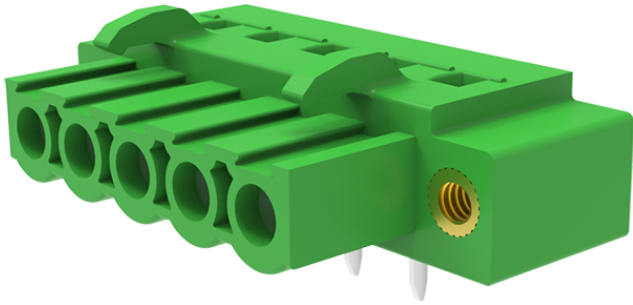


Product Type: Plug-in terminal-Plug

Product Name:MC-

RU5.08SHXX-F-0001

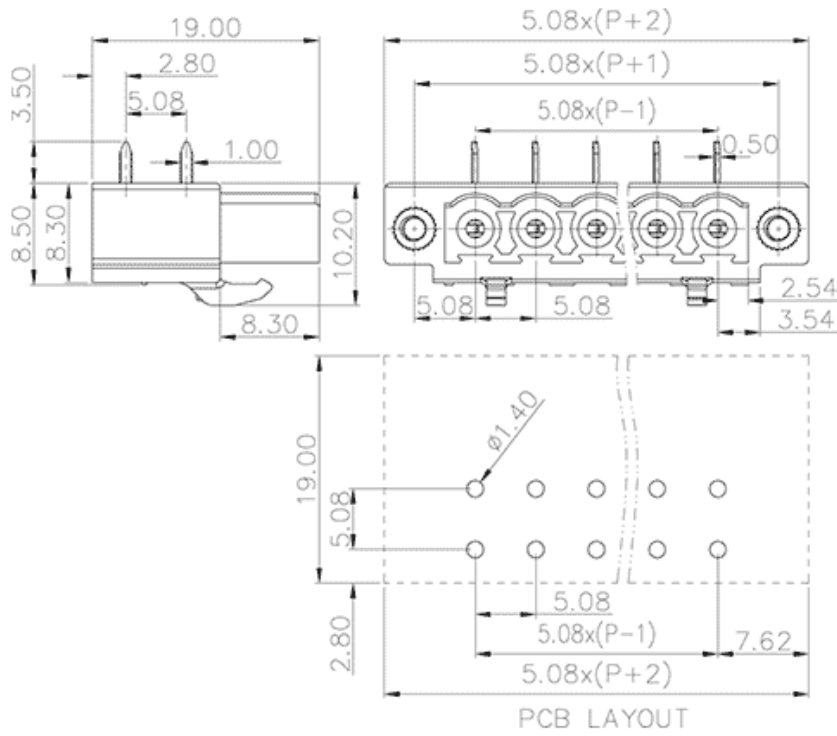


Product Description: Pitch:5.08mm Rated

Voltage : 320V Rated Current:16A

colour : customizable

Product Size



Parameters

☞ SUPU ID	MC-RU5.08SHXX-F-0001
☞ Pitch	5.08
☞ Number of connections	XX
☞ Connection method	-

☞ Protection Level	IP20
☞ Operating temperature range	-40~+105°C
☞ Insulation material	PA66
☞ Insulation material group	I
☞ Contact material	Copper alloy
☞ Contact plating	Sn,Plated
☞ Color	Green/Black/Blue/Grey/Orange/Red

Technical data

☞ IEC Rated Current	16A
☞ IEC Rated Voltage	320V
☞ Overvoltage category	III/III/ II
☞ Degree of pollution	3 2 2
☞ Rated impulse voltage	4KV 4KV 4KV
☞ UL Rated Current	16A - 10A
☞ UL Rated Voltage	250V - 300V
☞ Conductor cross section rigid	-
☞ Conductor cross section flexible	-
☞ Conductor cross section flexible,with furrule	-
☞ Locking screw Specification	-
☞ Locking screw torque	-
☞ Fixed Screw Specification	M2.5
☞ Stripping length	-
☞ Use group	B/C/D

☞ Order No

MC-RU5.08SHXX-F-0001

Ningbo SUPU Electronics Co., Ltd.

Address: No. 150, Xinxing 4th Road, High-tech Industrial Development Zone,
Cixi City, Zhejiang Province, China

Zip code: 315303

Switchboard: +86 574-63288158

Fax: +86 574-63288170

E-mail:supucontact@supu.cn

Service Hotline: 400-626-6336



Wechat

Date:2026-06-13 13:17

The right to modify data belongs to SUPU.