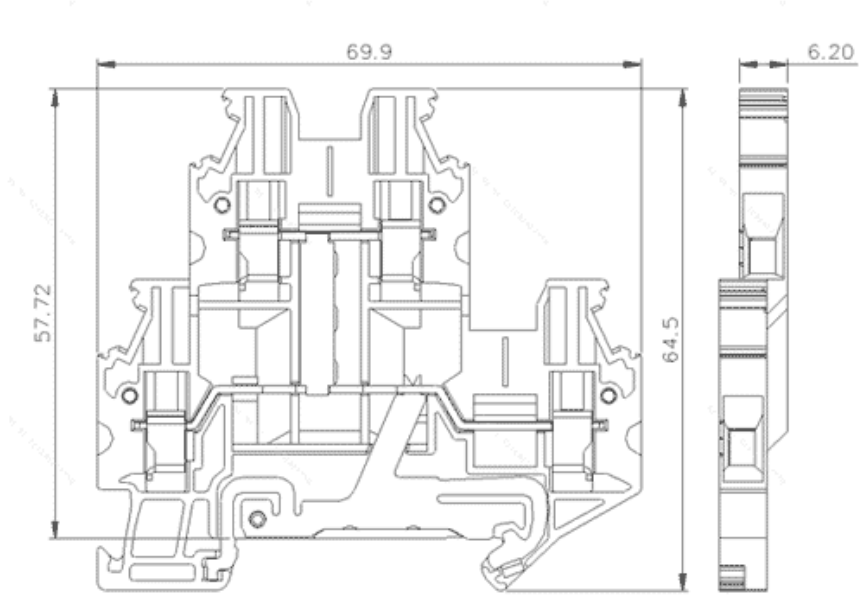


Product Type: Screw terminal

Product Name:TUD4-2-PE

Product Description: Connection method:Screw connection,IEC Rated current:/,IEC Rated Voltage:800V,Number of connections:4,Number of levels : 2,Rated cross section:26-10AWG

Product Size



Parameters

| | |
|-------------------------|-----------|
| ☞ SUPU ID | TUD4-2-PE |
| ☞ Width | 6.2mm |
| ☞ Number of levels | 2 |
| ☞ Number of connections | 4 |

| | |
|--|------------------|
| ☞ Connection method | Screw connection |
| ☞ Protection Level | IP20 |
| ☞ Insulation material | PA66 |
| ☞ Insulation material group | I |
| ☞ Contact material | Copper alloy |
| ☞ Contact plating | Sn,Plated |
| ☞ Ambient temperature (operation) | -40°C~105°C |
| ☞ Ambient temperature (assembly) | -5°C~70°C |
| ☞ Ambient temperature (storage) | -25°C~60°C |
| ☞ Permissible humidity (storage/transport) | 30%~70% |
| ☞ Product type | Ground terminal |

Technical data

| | |
|---|----------------------|
| ☞ IEC Rated Current | / |
| ☞ IEC Rated Voltage | 800V |
| ☞ Overvoltage category | III |
| ☞ Degree of pollution | 3 |
| ☞ Rated impulse voltage | 8kV |
| ☞ UL Rated Current | / |
| ☞ UL Rated Voltage | 600V |
| ☞ Conductor cross section rigid | 0.2-6mm ² |
| ☞ Conductor cross section flexible | 0.2-4mm ² |
| ☞ Conductor cross section flexible,with ferrule | 0.2-4mm ² |
| ☞ Locking screw Specification | M3 |

| | |
|-----------------------------|----------|
| ☞ Locking screw torque | 0.5N.m |
| ☞ Fixed Screw Specification | / |
| ☞ 固定螺钉扭矩 | / |
| ☞ Stripping length | 9-11mm |
| ☞ Use group | B/C |
| ☞ Rated cross section | 26-10AWG |
| ☞ UL Rated Current | / |
| ☞ UL Rated Current | 600V |

Commercial data

| | |
|------------|-----------|
| ☞ Order No | TUD4-2-PE |
|------------|-----------|

Ningbo SUPU Electronics Co., Ltd.

Address: No. 150, Xinxing 4th Road, High-tech Industrial Development Zone,

Cixi City, Zhejiang Province, China

Zip code: 315303

Switchboard: +86 574-63288158

Fax: +86 574-63288170

E-mail:supucontact@supu.cn

Service Hotline: 400-626-6336



Date:2026-04-25 20:42

The right to modify data belongs to SUPU.