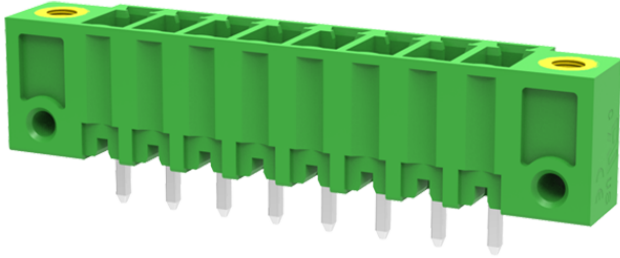


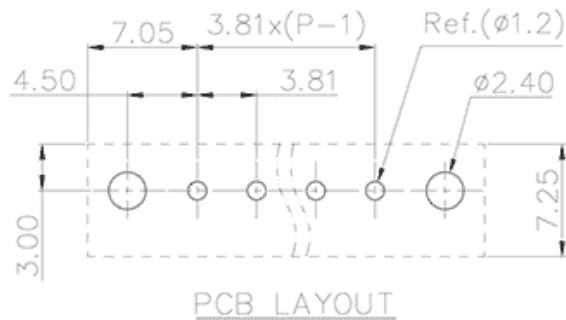
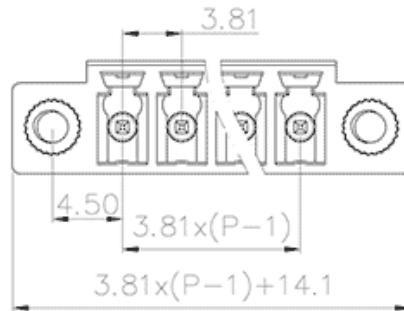
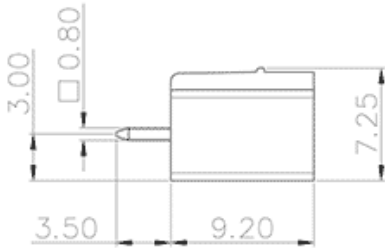
Product Type: Plug-in terminal-Socket

Product Name:MC-PA3.81V14-F-0002



Product Description: Pitch: 3.81mm Rated Voltage : 160V Rated Current: 8A colour : customizable

Product Size



Parameters

|                         |                     |
|-------------------------|---------------------|
| ⌘ SUPU ID               | MC-PA3.81V14-F-0002 |
| ⌘ Pitch                 | 3.81                |
| ⌘ Number of levels      | Single layer        |
| ⌘ Number of connections | 14                  |

|                               |                                  |
|-------------------------------|----------------------------------|
| ☞ Connection method           | -                                |
| ☞ Protection Level            | IP20                             |
| ☞ Operating temperature range | -40~+105°C                       |
| ☞ Insulation material         | PA66                             |
| ☞ Insulation material group   | I                                |
| ☞ Contact material            | Copper alloy                     |
| ☞ Contact plating             | Sn,Plated                        |
| ☞ Color                       | Green/Black/Blue/Grey/Orange/Red |

## Technical data

|   |                   |
|---|-------------------|
| ☞ IEC Rated Current                             | 160V              |
| ☞ IEC Rated Voltage                             | 8A                |
| ☞ Overvoltage category                          | III III II        |
| ☞ Degree of pollution                           | 3 2 2             |
| ☞ Rated impulse voltage                         | 2.5KV 2.5KV 2.5KV |
| ☞ UL Rated Current                              | 8A - 8A           |
| ☞ UL Rated Voltage                              | 300V - 300V       |
| ☞ Conductor cross section rigid                 | -                 |
| ☞ Conductor cross section flexible              | -                 |
| ☞ Conductor cross section flexible,with furrule | -                 |
| ☞ Locking screw Specification                   | -                 |
| ☞ Locking screw torque                          | -                 |
| ☞ Fixed Screw Specification                     | -                 |
| ☞ 固定螺钉扭矩  | -                 |

|                       |       |
|-----------------------|-------|
| ☞ Stripping length    | -     |
| ☞ Use group           | B/C/D |
| ☞ Rated cross section | -     |

## Commercial data

|            |                     |
|------------|---------------------|
| ☞ Order No | MC-PA3.81V14-F-0002 |
|------------|---------------------|

### Ningbo SUPU Electronics Co., Ltd.

Address: No. 150, Xinxing 4th Road, High-tech Industrial Development Zone,  
Cixi City, Zhejiang Province, China

Zip code: 315303

Switchboard: +86 574-63288158

Fax: +86 574-63288170

E-mail:supucontact@supu.cn

Service Hotline: 400-626-6336



Wechat