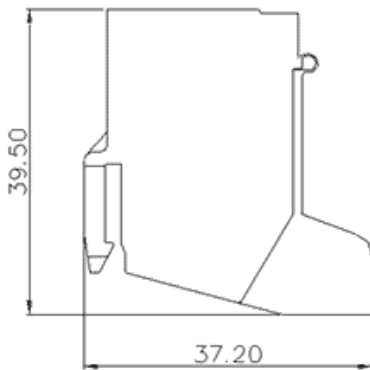
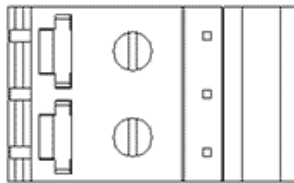


Product Type: Transformer terminal

**Product Name:620521**

Product Description: Rated Voltage : 750V Rated Current:57A Connection method : Screw connection colour : Grey

**Product Size**



**Parameters**

⌘ SUPU ID	620521
⌘ Pitch	-
⌘ Number of levels	single layer
⌘ Number of connections	2

☞ Connection method	Screw connection
☞ Protection Level	IP20
☞ Operating temperature range	-25°C~70°C
☞ Insulation material	PA66
☞ Insulation material group	I
☞ Contact material	Copper alloy
☞ Contact plating	Tin
☞ Color	Grey

## Technical data

☞ IEC Rated Current	57A
☞ IEC Rated Voltage	750V
☞ Overvoltage category	III/III/ II
☞ Degree of pollution	3 2 2
☞ Rated impulse voltage	3KV - -
☞ UL Rated Current	65A 65A -
☞ UL Rated Voltage	300V 300V -
☞ Conductor cross section rigid	4-10mm <sup>2</sup>
☞ Conductor cross section flexible	4-10mm <sup>2</sup>
☞ Conductor cross section flexible,with ferrule	4-10mm <sup>2</sup>
☞ Locking screw Specification	M4
☞ Locking screw torque	1-1.2N.m
☞ Fixed Screw Specification	-
☞ Stripping length	8~9mm

☞ Order No

620521

Ningbo SUPU Electronics Co., Ltd.

Address: No. 150, Xinxing 4th Road, High-tech Industrial Development Zone,  
Cixi City, Zhejiang Province, China

Zip code: 315303

Switchboard: +86 574-63288158

Fax: +86 574-63288170

E-mail:supucontact@supu.cn

Service Hotline: 400-626-6336



Wechat