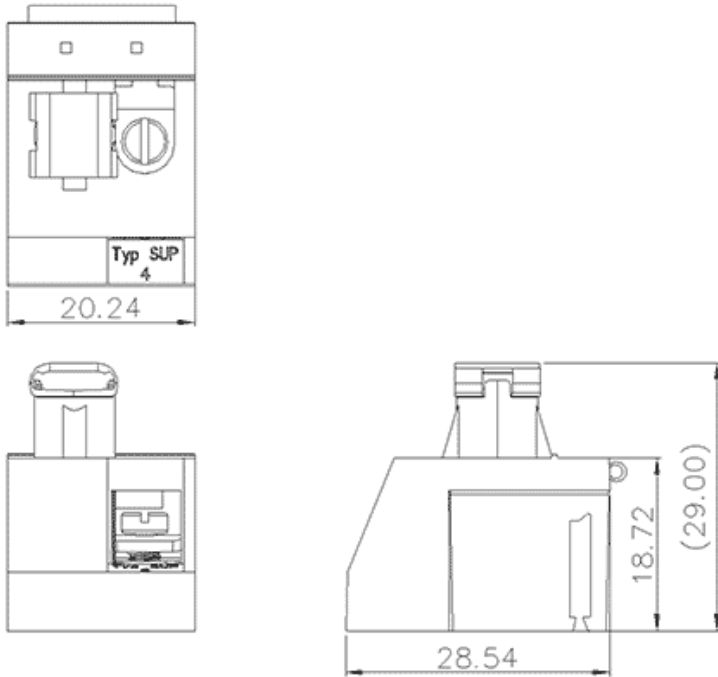


Product Type: Transformer terminal

Product Name:620151

Product Description: Pitch: 22mm Rated Voltage : 600V Rated Current:10A Connection method : Screw connection colour : orange

Product Size



Parameters

| | |
|-------------------------|--------------|
| ⌘ SUPU ID | 620151 |
| ⌘ Pitch | 22 |
| ⌘ Number of levels | single layer |
| ⌘ Number of connections | 1 |

| | |
|-------------------------------|------------------|
| ☞ Connection method | Screw connection |
| ☞ Protection Level | IP20 |
| ☞ Operating temperature range | -25°C~70°C |
| ☞ Insulation material | PA66 |
| ☞ Insulation material group | I |
| ☞ Contact material | Copper alloy |
| ☞ Contact plating | Tin |
| ☞ Color | Grey |

Technical data

| | |
|---|------------------------|
| ☞ IEC Rated Current | 10A |
| ☞ IEC Rated Voltage | 600V |
| ☞ Overvoltage category | III/III/ II |
| ☞ Degree of pollution | 3 2 2 |
| ☞ Rated impulse voltage | 3KV - - |
| ☞ UL Rated Current | 10A - 10A |
| ☞ UL Rated Voltage | 600V 600V - |
| ☞ Conductor cross section rigid | 0.5-2.5mm ² |
| ☞ Conductor cross section flexible | 0.5-2.5mm ² |
| ☞ Conductor cross section flexible,with furrule | 0.5-2.5mm ² |
| ☞ Locking screw Specification | M3.5 |
| ☞ Locking screw torque | 0.6-0.8N.m |
| ☞ Fixed Screw Specification | - |
| ☞ Stripping length | 8~9mm |

☞ Order No

620151

Ningbo SUPU Electronics Co., Ltd.

Address: No. 150, Xinxing 4th Road, High-tech Industrial Development Zone,
Cixi City, Zhejiang Province, China

Zip code: 315303

Switchboard: +86 574-63288158

Fax: +86 574-63288170

E-mail:supucontact@supu.cn

Service Hotline: 400-626-6336



Wechat