

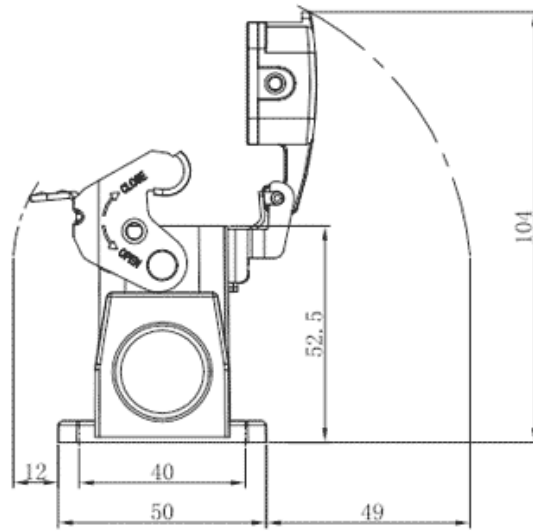
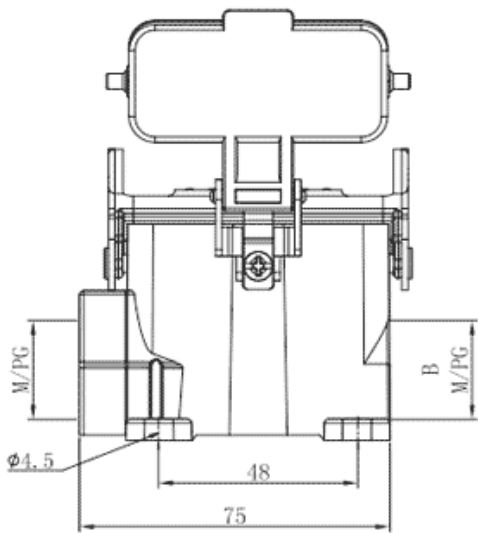


Product Type: Heavy-duty Connector Housing

Product Name: S10A-SM-1L.M-2PG16-MC

Product Description: S10A Housings, metal, 1 levers, surface mounting, 2xPG16 thread, metal cover

Product Size



Parameters

SUPU ID	S10A-SM-1L.M-2PG16-MC
Protection Level	IP65
Operating temperature range	-40°C~+125°C
Color	Grey

☞ Thread type	PG16
☞ Category	Base
☞ Mechanical endurance	≥500

Technical data

☞ Sealing material	NBR
☞ Housing Material	Die-Cast Aluminum

Commercial data

☞ Order No	S10A-SM-1L.M-2PG16-MC
☞ Packing unit	PCS
☞ Minimum order quantity	1

Ningbo SUPU Electronics Co., Ltd.

Address: No. 150, Xinxing 4th Road, High-tech Industrial Development Zone,

Cixi City, Zhejiang Province, China

Zip code: 315303

Switchboard: +86 574-63288158

Fax: +86 574-63288170

E-mail: supucontact@supu.cn

Service Hotline: 400-626-6336



Wechat

Date:2026-04-26 19:54

The right to modify data belongs to SUPU.