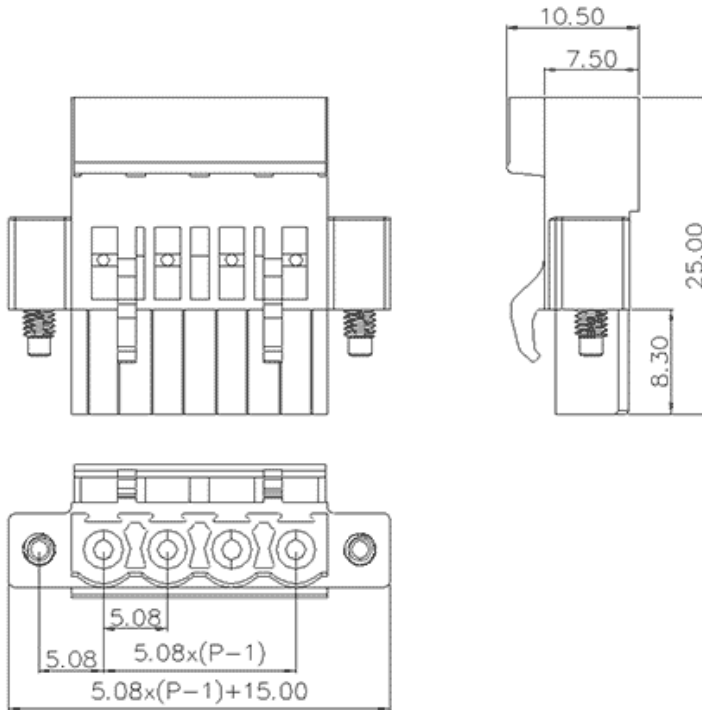


Product Type: Crimp terminal

Product Name:MC-
RB5.08HXXB-K-100-0001

Product Description: Pitch:5.08mm Rated
Voltage : 320V Connection method : Cold
connection

Product Size



Parameters

| | |
|-------------------------|--------------------------|
| ⌘ SUPU ID | MC-RB5.08H02B-K-100-0001 |
| ⌘ Pitch | 5.08 |
| ⌘ Number of levels | Single layer |
| ⌘ Number of connections | XX |

| | |
|-------------------------------|----------------------|
| ☞ Connection method | Cold Pressure Wiring |
| ☞ Protection Level | IP20 |
| ☞ Operating temperature range | -40~+105°C |
| ☞ Insulation material | PA66 |
| ☞ Insulation material group | I |
| ☞ Contact material | Copper alloy |
| ☞ Contact plating | Sn,Plated |
| ☞ Color | Green |

Commercial data

| | |
|------------|--------------------------|
| ☞ Order No | MC-RB5.08H02B-K-100-0001 |
|------------|--------------------------|

Ningbo SUPU Electronics Co., Ltd.

Address: No. 150, Xinxing 4th Road, High-tech Industrial Development Zone,

Cixi City, Zhejiang Province, China

Zip code: 315303

Switchboard: +86 574-63288158

Fax: +86 574-63288170

E-mail:supucontact@supu.cn

Service Hotline: 400-626-6336



Date:2026-06-13 13:17

The right to modify data belongs to SUPU.