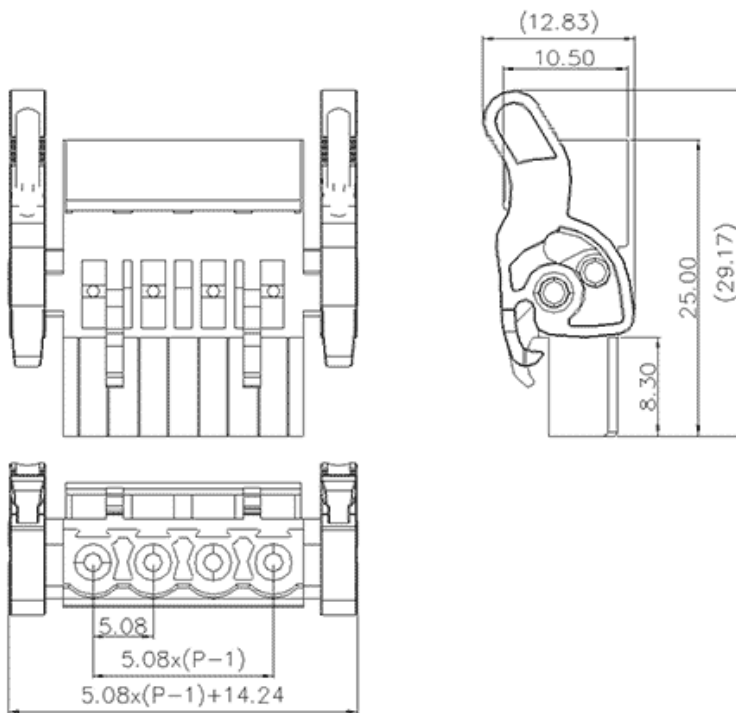


Product Type: Crimp terminal

Product Name:MC-  
RB5.08HXXB-I-100-0001

Product Description: Pitch:5.08mm Rated  
Voltage : 320V Connection method : Cold  
connection

Product Size



Parameters

⌘ SUPU ID	MC-RB5.08H02B-I/100-0001
⌘ Pitch	5.08
⌘ Number of levels	Single layer
⌘ Number of connections	XX

☞ Connection method	Cold Pressure Wiring
☞ Protection Level	IP20
☞ Operating temperature range	-40~+105°C
☞ Insulation material	PA66
☞ Insulation material group	I
☞ Contact material	Copper alloy
☞ Contact plating	Sn,Plated
☞ Color	Green

## Commercial data

☞ Order No	MC-RB5.08H02B-I/100-0001
------------	--------------------------

### Ningbo SUPU Electronics Co., Ltd.

Address: No. 150, Xinxing 4th Road, High-tech Industrial Development Zone,

Cixi City, Zhejiang Province, China

Zip code: 315303

Switchboard: +86 574-63288158

Fax: +86 574-63288170

E-mail:supucontact@supu.cn

Service Hotline: 400-626-6336



---

Date:2026-04-25 07:39

The right to modify data belongs to SUPU.