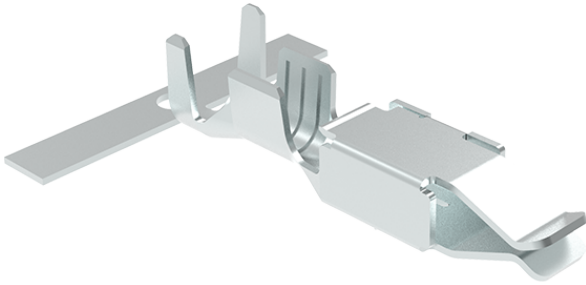


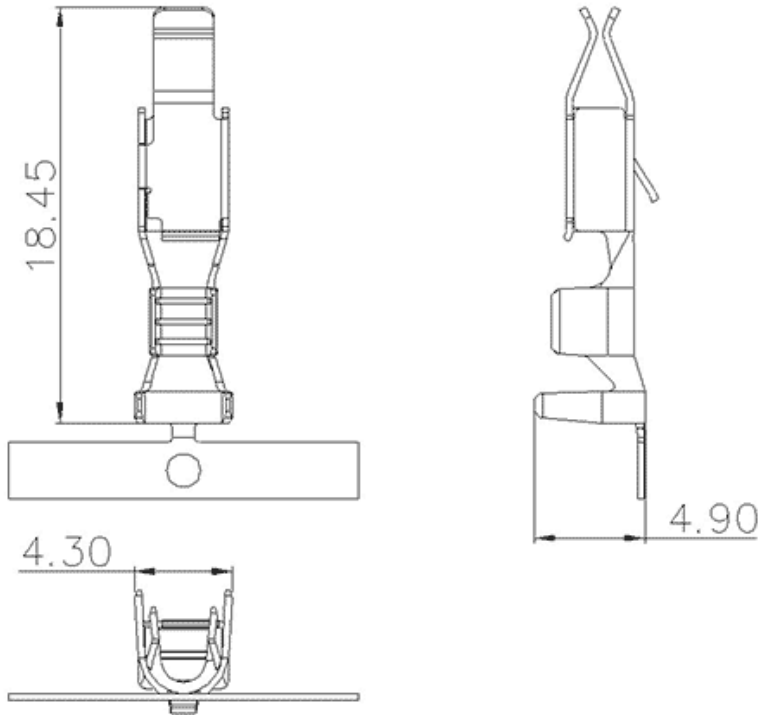
Product Type: Crimp terminal

Product Name: MC-RB5.08-25-3000

Product Description: Pitch: 5.08mm Rated Voltage : 320V Rated Current: 12A



Product Size



Parameters

☞ SUPU ID	MC-RB5.08-25-3000
☞ Pitch	5.08
☞ Number of levels	/
☞ Number of connections	/

☞ Connection method	Cold Pressure Wiring
☞ Protection Level	IP20
☞ Operating temperature range	-40~+105°C
☞ Insulation material	-
☞ Insulation material group	-
☞ Contact material	Copper alloy
☞ Contact plating	Sn,Plated

Commercial data

☞ Order No	MC-RB5.08-25-3000
------------	-------------------

Ningbo SUPU Electronics Co., Ltd.

Address: No. 150, Xinxing 4th Road, High-tech Industrial Development Zone,
Cixi City, Zhejiang Province, China

Zip code: 315303

Switchboard: +86 574-63288158

Fax: +86 574-63288170

E-mail:supucontact@supu.cn

Service Hotline: 400-626-6336



Wechat

